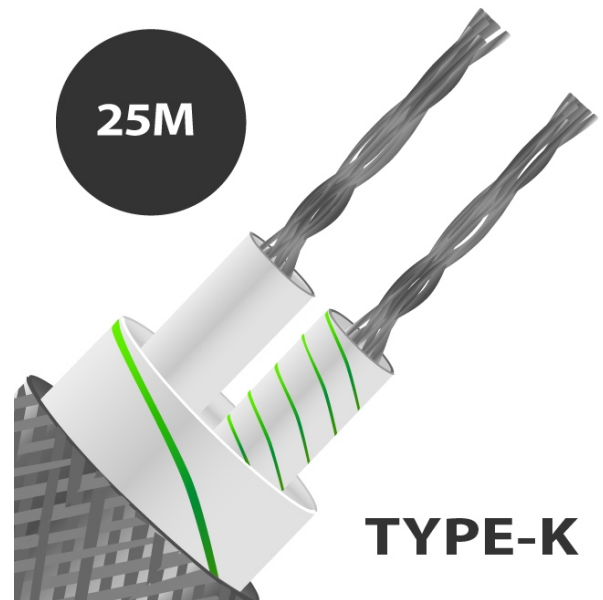
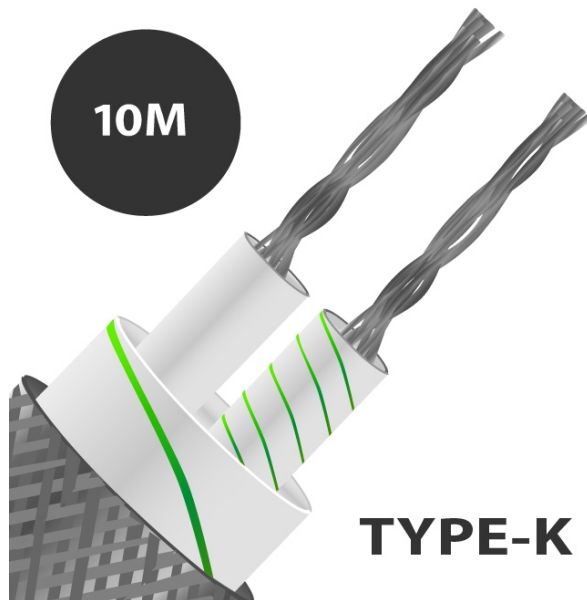
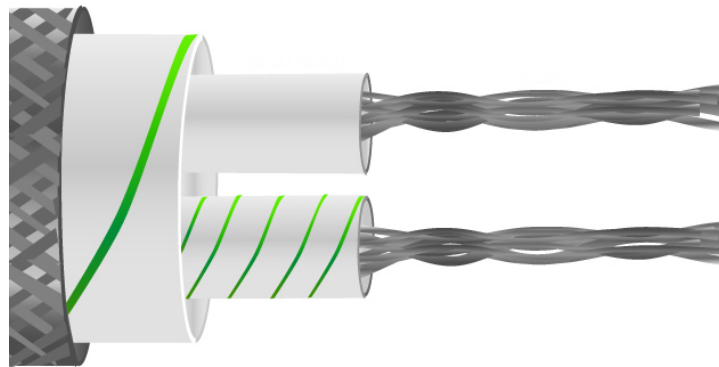


Tipo K Fibra de vidrio aislado Cable de par plano / alambre con sobretrenzado de acero inoxidable (IEC)



Labfacility are the UK's leading manufacturer of Temperature Sensors, Thermocouple Connectors and associated Temperature Instrumentation and stockings of Thermocouple Cables. The Company has been trading since 1971 and is ISO9001 accredited.

Tipo K Fibra de vidrio aislado Cable de par plano / alambre con sobretrenzado de acero inoxidable (IEC)

Construccin de par plano aislado con fibra de vidrio, conductores colocados planos, fibra de vidrio aislada con chaqueta de fibra de vidrio, silicona barnizada en todas partes + trenza de acero inoxidable para mayor proteccin y resistencia mecnica. Buena resistencia a la temperatura, pero no es adecuado donde hay fluidos presentes.

Caractersticas tcnicas
Specifications

General Description	Good strength to physical disturbance and high temperature (up to 400°C). Will not prevent ingress of fluids.
Cable Length	5m, 10m, 25m, 50m, 100m
Cable Type	Flat pair cable
Core / Strands	7/0.2mm
Conductor Cross Section 7/0.2 (mm²)	0.219
+ Colour	Green
- Colour	White
Drain Wire	No
Insulation Material	Glassfibre insulated extension cable with stainless steel overbraiding
Loop Resistance 7/0.2 (Ohms per combined metre)	4.5
Max. Temperature	+350°C (short periods up to 400°C)
Min. Temperature	-60°C
+ Conductor	Nickel Chromium



- Conductor	Nickel Aluminium
Screen	No
Standards Met	Colour code (cores & jacket) to IEC-584-3
Thermocouple Type	K
Tolerance	Class 2