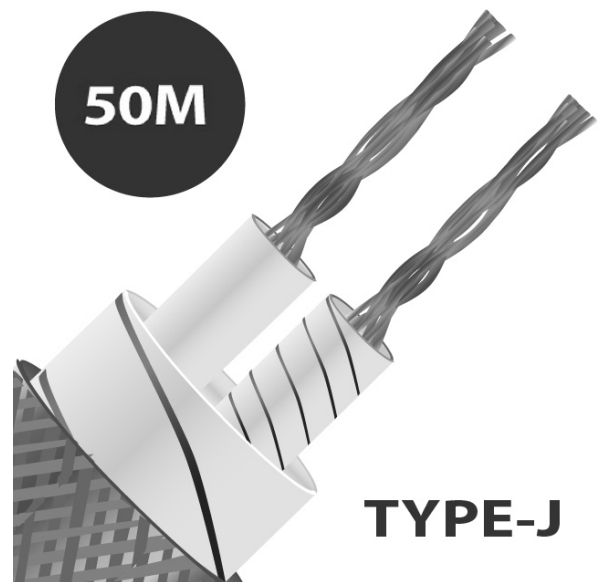
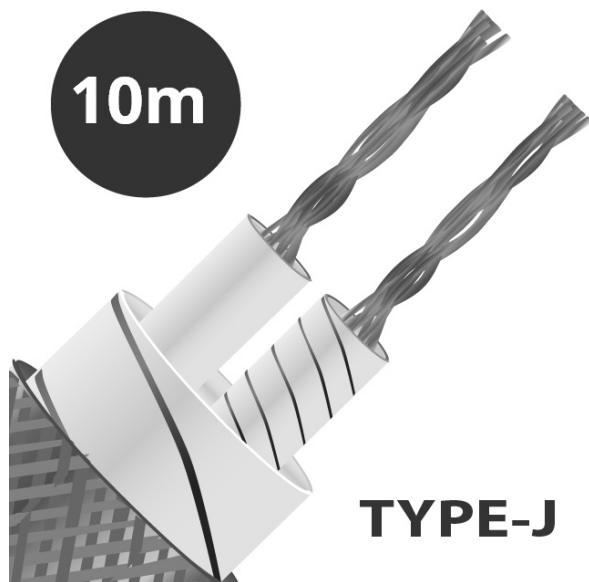
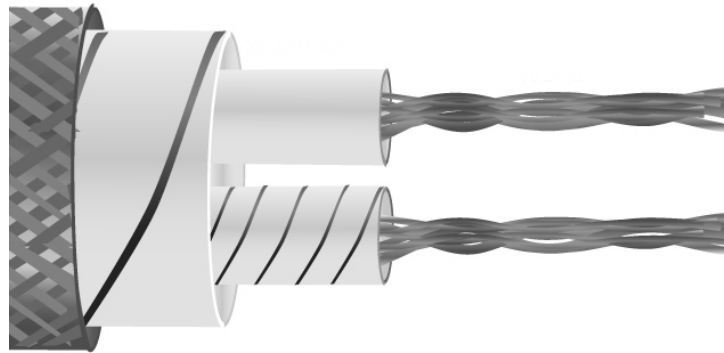


## Cable / alambre de par plano aislado de fibra de vidrio tipo J con sobrebrada de acero inoxidable (IEC)



Labfacility are the UK's leading manufacturer of Temperature Sensors, Thermocouple Connectors and associated Temperature Instrumentation and stockings of Thermocouple Cables. The Company has been trading since 1971 and is ISO9001 accredited.

**Cable / alambre de par plano aislado de fibra de vidrio tipo J con sobrebrada de acero inoxidable (IEC)**

Construcción de par plano aislado con fibra de vidrio, conductores colocados planos, fibra de vidrio aislada con camisa de fibra de vidrio, barnizado de silicona en todo + sobrebrada de acero inoxidable para mayor protección y resistencia mecánica. Buena resistencia a la temperatura pero no es adecuado donde los fluidos están presentes.

**Características técnicas**

## Specifications

<b>General Description</b>	Good strength to physical disturbance and high temperature (up to 400°C). Will not prevent ingress of fluids.
<b>Cable Length</b>	10m, 25m, 50m, 100m
<b>Cable Type</b>	Flat pair cable
<b>Core / Strands</b>	7/0.2mm
<b>Conductor Cross Section 7/0.2 (mm<sup>2</sup>)</b>	0.219
<b>+ Colour</b>	Black
<b>- Colour</b>	White
<b>Drain Wire</b>	No
<b>Insulation Material</b>	Glassfibre insulated extension cable with stainless steel overbraiding
<b>Loop Resistance 7/0.2 (Ohms per combined metre)</b>	2.7
<b>Max. Temperature</b>	+350°C (short periods up to 400°C)
<b>Min. Temperature</b>	-60°C
<b>+ Conductor</b>	Iron



# LABFACILITY

TEMPERATURE & PROCESS TECHNOLOGY

<b>- Conductor</b>	Constantan
<b>Screen</b>	No
<b>Standards Met</b>	Colour code (cores & jacket) to IEC-584-3
<b>Thermocouple Type</b>	J
<b>Tolerance</b>	Class 2