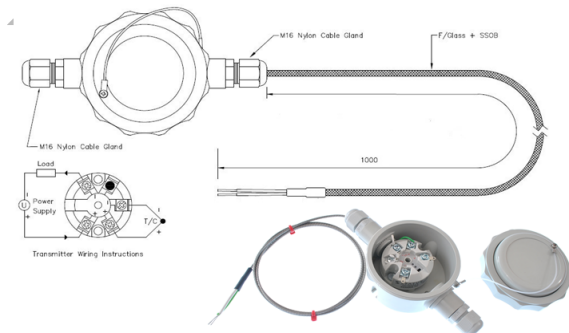


Carcasa remota montada en pared de 4-20mA, entrada de termopar tipo K con 1m de cable F/G



Labfacility are the UK's leading manufacturer of Temperature Sensors, Thermocouple Connectors and associated Temperature Instrumentation and stockings of Thermocouple Cables. The Company has been trading since 1971 and is ISO9001 accredited.

Specifications

Product Code	XE-5522-001
General Description	Surface Mounting for remote installation
Thermocouple Type	Compatible with type K (NC/NA) thermocouples
Cable Length	1m
Cable Type	Type K 7/0.2 fibre glass cable with stainless steel overbraid
Cable Termination	Bare tails
Head Type	High Impact ABS Plastic Construction
Entry Threads	M16
Transmitter	The push button temperature transmitter is a cost effective "smart" in head transmitter that accepts thermocouple temperature sensors and converts sensor output over a configured range to a standard industrial (4 to 20) mA transmission signal.
Range	0-1000°C (transmitter can be re-ranged if desired)
Output	4-20 mA