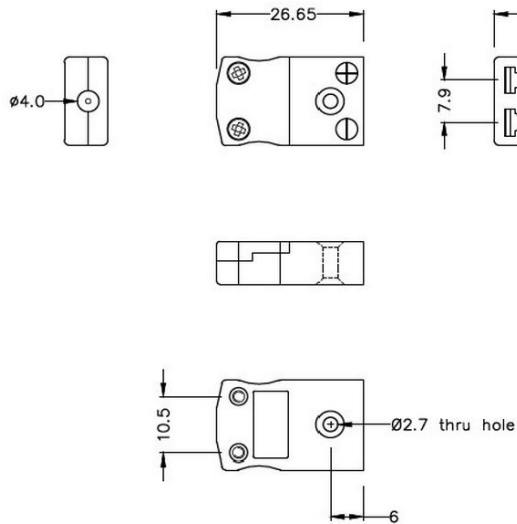


## Conector de termopar en miniatura Plug & Socket IM-J-M + F Tipo J IEC



**Miniature in-line Plug**  
(dimensions in mm)



**Miniature in-line Socket**  
(dimensions in mm)



Labfacility are the UK's leading manufacturer of Temperature Sensors, Thermocouple Connectors and associated Temperature Instrumentation and stockings of Thermocouple Cables. The Company has been trading since 1971 and is ISO9001 accredited.

**Conector de termopar en miniatura Plug & Socket IM-J-M + F Tipo J IEC**

Con pines planos para adaptarse al tipo de termopar e ideales para uso general, todos los contactos estn polarizados para garantizar una conexin correcta. Estos conectores aceptarn cables de termopar de hasta 4 mm de dimetro.

**Caractersticas tcnicas****Specifications**

<b>Product Code</b>	XE-1000-001
<b>General Description</b>	Ideal for general purpose use. Contacts are polarised to ensure correct connection
<b>Thermocouple Type</b>	J IEC
<b>Connector Size</b>	Miniature
<b>Connector Type</b>	Plug & Socket
<b>Colour</b>	Black
<b>Max. Temperature</b>	220°C
<b>Pins</b>	Flat Pins
<b>+Positive Contact</b>	Iron
<b>-Negative Contact</b>	Copper Nickel
<b>Standards Met</b>	BS EN 50212:1997. RoHS
<b>Series</b>	Miniature Connector