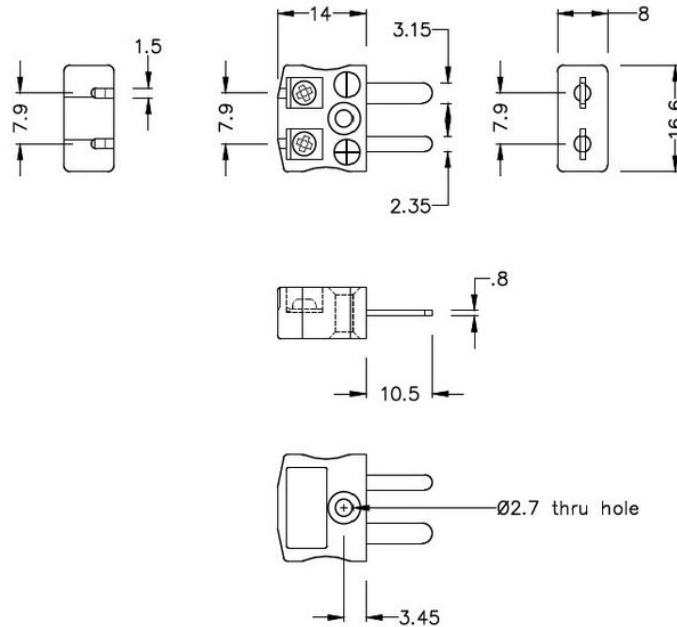
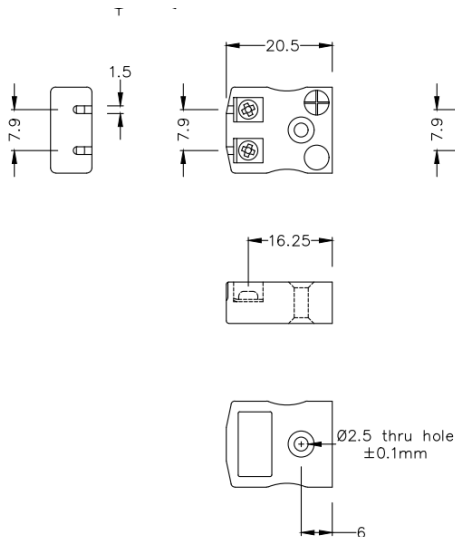


## Conector de termopar de cable rpido en miniatura Enchufe y zcalo AM-E-MQ + FQ Tipo E ANSI



**Miniature in-line Plug - Quick Wire**  
(dimensions in mm)



**Miniature in-line Socket - Quick Wire**  
(dimensions in mm)



Labfacility are the UK's leading manufacturer of Temperature Sensors, Thermocouple Connectors and associated Temperature Instrumentation and stockings of Thermocouple Cables. The Company has been trading since 1971 and is ISO9001 accredited.

**Conector de termopar en miniatura Enchufe rpido de alambre y zcalo AM-E-MQ + FQ Tipo E ANSI**

Conector miniatura con clavijas planas. Fcil conexin de jab-in para una terminacin rpida. Simplemente empuje el alambre y apriete el tornillo.

**Caractersticas tcnicas****Specifications**

<b>Product Code</b>	XE-1026-001
<b>General Description</b>	Easy jab-in connection for rapid termination
<b>Thermocouple Type</b>	E ANSI
<b>Connector Size</b>	Miniature
<b>Connector Type</b>	Quick Wire Plug & Socket
<b>Colour</b>	Violet
<b>Max. Temperature</b>	220°C
<b>Pins</b>	Flat Pins
<b>+Positive Contact</b>	Nickel Chromium
<b>-Negative Contact</b>	Copper Nickel
<b>Standards Met</b>	BS EN 50212:1997. RoHS