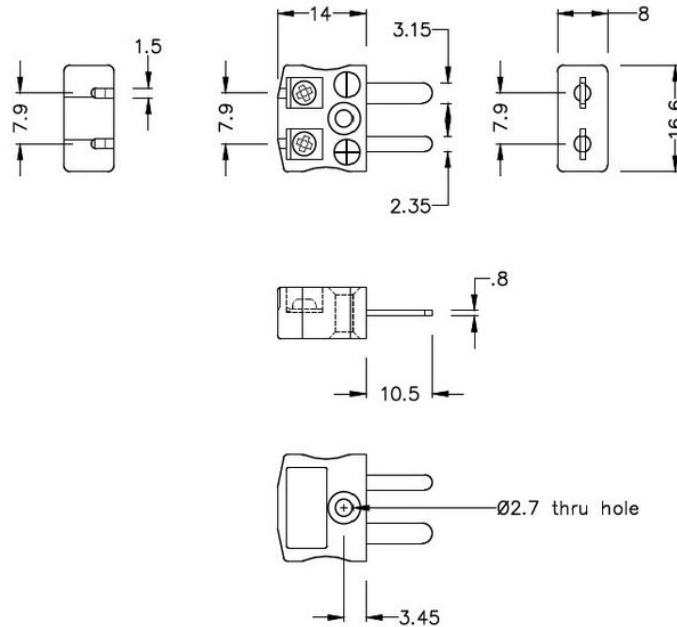
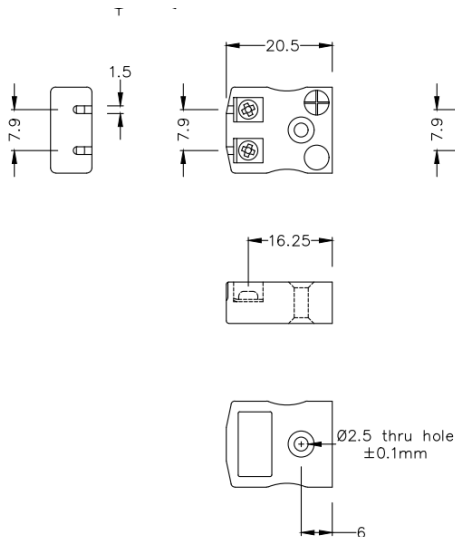


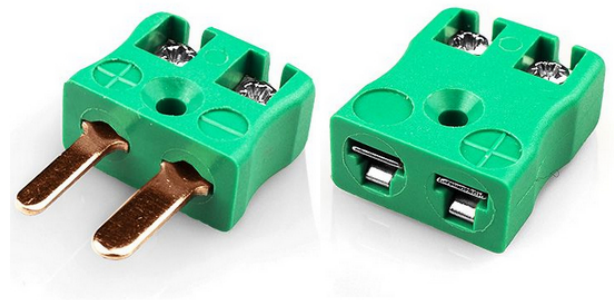
Conector de termopar de cable rpido en miniatura Enchufe y zcalo AM-R / S-MQ + FQ Tipo R / S ANSI



Miniature in-line Plug - Quick Wire
(dimensions in mm)



Miniature in-line Socket - Quick Wire
(dimensions in mm)



Labfacility are the UK's leading manufacturer of Temperature Sensors, Thermocouple Connectors and associated Temperature Instrumentation and stockings of Thermocouple Cables. The Company has been trading since 1971 and is ISO9001 accredited.

Conector de termopar en miniatura Enchufe rpido de cable y zcalo AM-R / S-MQ + FQ Tipo R / S ANSI

Conector miniatura con clavijas planas. Fcil conexin de jab-in para una terminacin rpida. Simplemente empuje el alambre y apriete el tornillo.

Caractersticas tcnicas**Specifications**

Product Code	XE-1023-001
General Description	Easy jab-in connection for rapid termination
Thermocouple Type	R/S ANSI
Connector Size	Miniature
Connector Type	Quick Wire Plug & Socket
Colour	Green
Max. Temperature	220°C
Pins	Flat Pins
+Positive Contact	Copper
-Negative Contact	Copper
Standards Met	BS EN 50212:1997. RoHS